

### Product notes

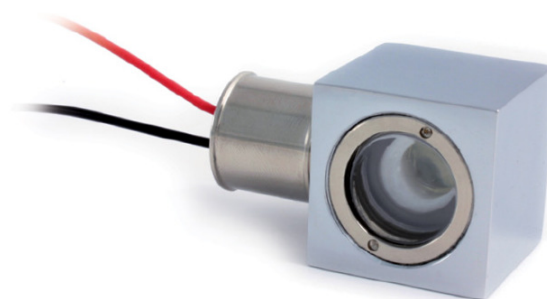
Ilamt interior LED wall light. A small surface mounted wall light providing a warm light.

This Italian made fitting has a fixed optic and provides a subtle decorative wash to a flat surface.

Brass body. Available in a choice of colour finishes and a variety of beam angles and light output colours.

Suitable for various applications and ideal for providing mood lighting to vaulted ceilings.

Supplied with retaining spring for false ceilings. An outer casing can be used for other applications.

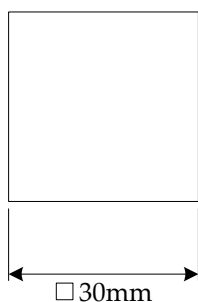
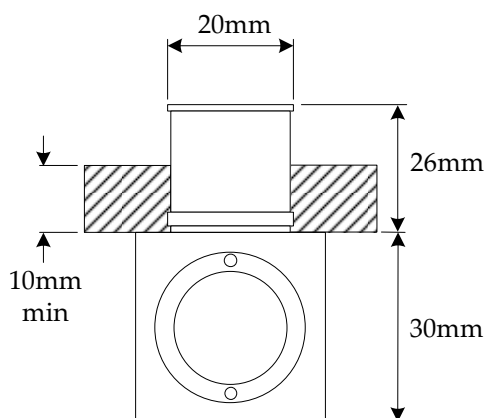


|                                 |   |
|---------------------------------|---|
| <b>Cut-out</b>                  | 24mm diameter                                     |
| <b>Wattage</b>                  | 2 watts   |
| <b>CRI</b>                      | 80  |
| <b>Lumens</b>                   | Cool white 167, Natural white 147, Warm white 127 |
| <b>Wiring</b>                   | Series  |
| <b>Driver mA (not included)</b> | 630mA   |
| <b>Dimmable</b>                 | Yes 1-10v or DMX                                  |
| <b>IP rating</b>                | IP44  |
| <b>Class</b>                    | III – EN605981 Compliant                          |

|                           |              |
|---------------------------|--------------|
| <b>Available finishes</b> | <b>Codes</b> |
| White                     | 93566        |
| Chrome                    | 86678        |
| Nickel                    | 86679        |
| Bronze                    | 86716        |

|                                 |   |
|---------------------------------|---|
| <b>Available output colours</b> |   |
| Cold White                      | C |
| Natural White                   | N |
| Warm White                      | W |
| Red                             | R |
| Green                           | G |
| Blue                            | B |
| Amber                           | Y |

**Available beam angles** 15°, 30° or 50°



### To order this product:

Use the product Finish Colour Code followed by the Output Colour and Beam Angle. For example to order a Chrome fitting with a Warm White light output and a 30° beam angle use: 86678-W-30