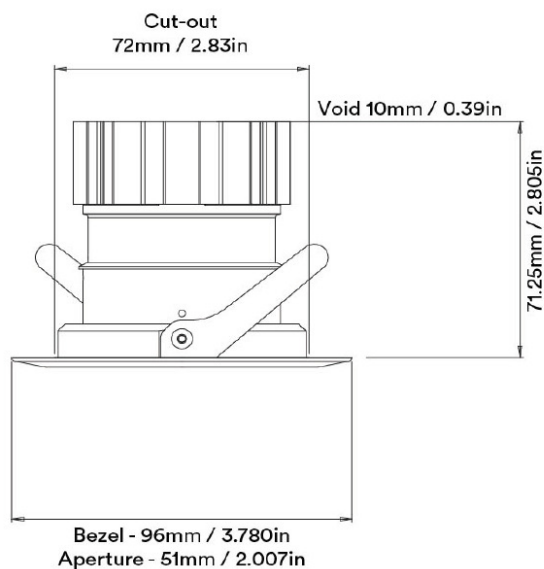


erluna

dino fixed origin



Unit height increases by
21.65mm / 0.85in
for spot and elliptical beams

www.josephread.co.uk

T: +44 (0) 1473 708 616

Joseph Read
Lighting & Home Cinema

dino fixed origin



		2700K									
		SPOT			SOFT				SPECIALITY		
LIGHT VALUES	Beam Width FWHM	Ultra 8°	Spot 10°	Narrow 14°	Medium 27°	Wide 43°	Flood 51°	Wash 58°	Crisp 37°	Elliptical 10x45°	Elliptical 20x40°
	Initial Lumens	526	893	1164	1164	1164	1164	1164	1164	893	893
	Engine Lumens	183	295	380	975	968	935	942	970	323	320
	Luminaire Lumens	153	267	364	704	722	696	719	771	195	275
	Engine Lm/W	23	24	33	86	85	82	83	85	26	26
	Luminaire Cd	5520	7248	5581	2155	1265	963	800	1830	726	1299
POWER	Voltage	36V	36V	34V				36V			
	Drive Current	180mA	300mA	300mA				300mA			
	Circuit Power (typ)	7.8W	12.2W	11.4W				12.2W			

		3000K									
		SPOT			SOFT				SPECIALITY		
LIGHT VALUES	Beam Width FWHM	Ultra 9°	Spot 10°	Narrow 14°	Medium 28°	Wide 43°	Flood 52°	Wash 58°	Crisp 37°	Elliptical 10x45°	Elliptical 20x40°
	Initial Lumens	561	935	1252	1252	1252	1252	1252	1252	935	935
	Engine Lumens	204	302	407	1013	1026	999	1013	1025	354	350
	Luminaire Lumens	197	289	389	706	721	691	718	785	201	261
	Engine Lm/W	26	25	36	89	90	88	89	90	29	29
	Luminaire Cd	6511	7324	5558	2039	1247	932	806	1891	711	1407
POWER	Voltage	36V	36V	34V				36V			
	Drive Current	180mA	300mA	300mA				300mA			
	Circuit Power (typ)	7.8W	12.2W	11.4W				12.2W			

Binning SDCM (Hot)	2
CRI (typ)(R9)	98 (99)
TM30 Rf Rg	Rf 93.8 Rg 101.9
Lifetime (TM21)	L90 B5 50,000hrs (inc driver)
Lifetime (Calculated)	L70 426,000hrs
Protocols	Mains Dim / DALI / 0-10V / Non-dim
Dim to Dark	0.1% Lux
Distance from LED	20m / 65' (series wiring)
Emergency	Emergency packs available

SPECIFICATION CODE

Engine type	Bezel	Colour Temp	Driver	Beam Width	Bezel Colour	Baffle Colour	Options
OR	- DIF	- 27	M	S	- W	- BB	- F 54 E
		27 / 2700K 30 / 3000K 40 / 4000K	M / Mains Dim D / DALI 0 / 0-10v N / Non Dim X / No Driver	U / Ultra S / Spot N / Narrow M / Medium W / Wide F / Flood H / Wash C / Crisp L / Elliptical Linear O / Elliptical Oval	W / White RAL 9010 D / White RAL 9003 E / White RAL 9016 B / Black RAL 9005 C / Other RAL G / Polished Brass J / Antique Bronze K / Brushed Chrome L / Polished Chrome I / Polished Copper Z / Other Metallic	BB / Black 9005 WB / White 9010 DB / White 9003 EB / White 9016 CB / Other RAL MB / Polished Brass JB / Antique Bronze KB / Brushed Chrome LB / Polished Chrome IB / Polished Copper ZB / Other Metallic	F / 60 min Fire Rated Plate 54 / IP54 65 / IP65 P / Sea & Spa IP65 *C / Constant Torsion J / Plaster-In Plate E / 3hr Emergency H / Honeycomb N / Frosted Lens Z / LSZH Cable K / Click Connector

*NOTE: Fire Hood if used with constant torsion springs