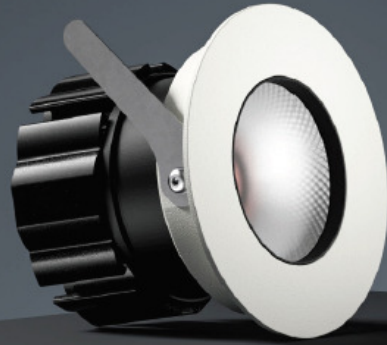
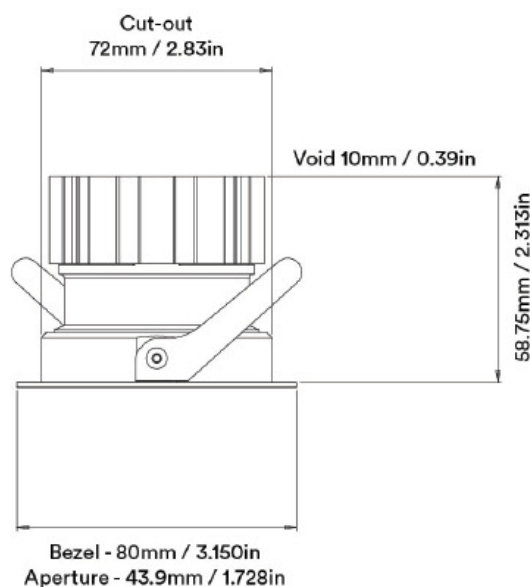


erluna

fina fixed origin



F III IP65 IP54 CE



Unit height increases by
21.65mm / 0.85in
for spot and elliptical beams

www.josephread.co.uk

T: +44 (0) 1473 708 616

Joseph Read
Lighting & Home Cinema

		2700K									
		SPOT			SOFT				SPECIALITY		
LIGHT VALUES	Beam Width FWHM	Ultra 8°	Spot 10°	Narrow 13°	Medium 28°	Wide 44°	Flood 55°	Wash 61°	Crisp 38°	Elliptical 10x45°	Elliptical 20x40°
	Initial Lumens	526	893	1164	1164	1164	1164	1164	1164	1164	893
	Engine Lumens	183	295	380	975	968	935	942	970	323	320
	Luminaire Lumens	170	277	351	805	852	846	864	872	180	232
	Engine Lm/W	23	24	33	86	85	82	83	85	26	26
	Luminaire Cd	6275	7832	5606	2001	1274	962	830	1812	738	1383
POWER	Voltage	36V	36V				34V				36V
	Drive Current	180mA	300mA				300mA				300mA
	Circuit Power (typ)	7.8W	12.2W				11.4W				12.2W

		3000K									
		SPOT			SOFT				SPECIALITY		
LIGHT VALUES	Beam Width FWHM	Ultra 8°	Spot 10°	Narrow 14°	Medium 28°	Wide 45°	Flood 56°	Wash 64°	Crisp 38°	Elliptical 10x45°	Elliptical 20x40°
	Initial Lumens	561	935	1252	1252	1252	1252	1252	1252	935	935
	Engine Lumens	204	302	407	1013	1026	999	1013	1025	354	350
	Luminaire Lumens	197	288	351	860	915	921	942	936	305	231
	Engine Lm/W	26	25	36	89	90	88	89	90	29	29
	Luminaire Cd	7015	7646	5551	2134	1331	1016	835	1897	755	1455
POWER	Voltage	36V	36V				34V				36V
	Drive Current	180mA	300mA				300mA				300mA
	Circuit Power (typ)	7.8W	12.2W				11.4W				12.2W

Binning SDCM (Hot)	2									
CRI (typ)(R9)	98 (99)									
TM30 Rf Rg	Rf 93.8 Rg 101.9									
Lifetime (TM21)	L90 B5 50,000hrs (inc driver)									
Lifetime (Calculated)	L70 426,000hrs									
DRIVER	Protocols	Mains Dim / DALI / 0-10V / Non-dim								
	Dim to Dark	0.1% Lux								
	Distance from LED	20m / 65' (series wiring)								
	Emergency	Emergency packs available								

SPECIFICATION CODE

Engine type	Bezel	Colour Temp	Driver	Beam Width	Bezel Colour	Baffle Colour	Options
OR	FI	27	M	S	W	BB	F 54 E
		27 / 2700K 30 / 3000K 40 / 4000K	M / Mains Dim D / DALI O / 0-10v N / Non Dim X / No Driver	U / Ultra S / Spot N / Narrow M / Medium W / Wide F / Flood H / Wash C / Crisp L / Elliptical Linear O / Elliptical Oval	W / White RAL 9010 D / White RAL 9003 E / White RAL 9016 B / Black RAL 9005 C / Other RAL G / Polished Brass J / Antique Bronze K / Brushed Chrome L / Polished Chrome I / Polished Copper Z / Other Metallic	BB / Black 9005 WB / White 9010 DB / White 9003 EB / White 9016 CB / Other RAL MB / Polished Brass JB / Antique Bronze KB / Brushed Chrome LB / Polished Chrome IB / Polished Copper ZB / Other Metallic	F / 60 min Fire Rated Plate 54 / IP54 65 / IP65 P / Sea & Spa IP65 *C / Constant Torsion J / Plaster-In Plate E / 3hr Emergency H / Honeycomb N / Frosted Lens Z / LSZH Cable K / Click Connector

*NOTE: Fire Hood if used with constant torsion springs