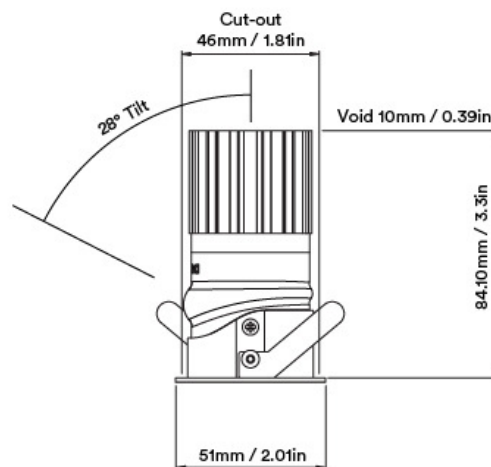
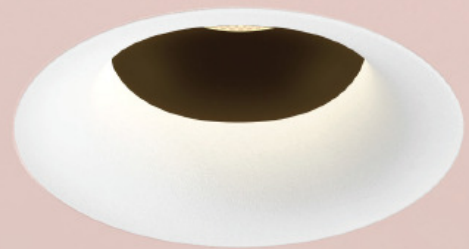


erluna curve mini adjustable origin



F III IP65 IP54 CE



Unit height increases by
12mm / 0.48in for SPOT and
both ELLIPTICAL BEAMS

curve mini adjustable origin



		2700K					
		SPOT	CRISP		SOFT	SPECIALITY	
LIGHT VALUES	Beam Width FWHM	Spot 15°	Medium 20°	Wide 31°	Soft 34°	Elliptical 10x45°	Elliptical 20x40°
	Initial Lumens	549	549	549	549	549	549
	Engine Lumens	214	462	462	444	186	208
	Luminaire Lumens	151	296	278	242	115	149
	Engine Lm/W	40	87	87	83	35	39
	Luminaire Cd	1847	1919	964	614	343	1897
POWER	Voltage	17.6V					
	Drive Current	300mA					
	Circuit Power (typ)	5.3W					

		3000K					
		SPOT	CRISP		SOFT	SPECIALITY	
LIGHT VALUES	Beam Width FWHM	Spot 15°	Medium 20°	Wide 30°	Soft 34°	Elliptical 10x45°	Elliptical 20x40°
	Initial Lumens	587	587	587	587	587	587
	Engine Lumens	220	483	475	475	193	180
	Luminaire Lumens	148	315	292	261	105	125
	Engine Lm/W	41	91	90	89	36	33
	Luminaire Cd	1849	2060	1101	619	328	610
POWER	Voltage	17.6V					
	Drive Current	300mA					
	Circuit Power (typ)	5.3W					

Binning SDCM (Hot)	2	
CRI (typ)(R9)	98 (99)	
TM30 Rf Rg	Rf 93.8 Rg 101.9	
Lifetime (TM21)	L90 B5 50,000hrs (inc driver)	
Lifetime (Calculated)	L70 426,000hrs	
DRIVER	Protocols	Mains Dim / DALI / 0-10V / Non-dim
	Dim to Dark	0.1% Lux
	Distance from LED	20m / 65' (series wiring)
	Emergency	Emergency packs available

SPECIFICATION CODE

Engine type	Bezel	Colour Temp	Driver	Beam Width	Bezel Colour	Baffle Colour	Options
OR	-CVM-	27	M	M	- W -	BB -	F 54
		27 / 2700K 30 / 3000K 40 / 4000K*	M / Mains Dim D / DALI *0 / 0-10V N / Non Dim X / No Driver	M / Medium W / Wide T / Soft S / Spot L / Elliptical Linear O / Elliptical Oval	W / White 9010 (STD) D / White 9003 E / White 9016 B / Black 9005 C / Other RAL G / Polished Brass J / Antique Bronze K / Brushed Chrome L / Polished Chrome Z / Other Metallic	BB / Black 9005 (STD) WB / White 9010 DB / White 9003 EB / White 9016 CB / Other RAL MB / Polished Brass JB / Antique Bronze KB / Brushed Chrome LB / Polished Chrome ZB / Other Metallic	F / 60 min Fire Rated Plate (end April 2021) 54 / IP64 65 / IP65 P / Sea & Spa IP65 H / Honeycomb N / Frosted Lens Z / LSZH Cable K / Click Connector

*NOTE: increase 3000K by 7%

*NOTE: 0-10V driver does not fit through cut out, other drivers fit through the cut-out. Supplied with one driver per luminaire.

*NOTE: Fire Hood if used with constant torsion springs.