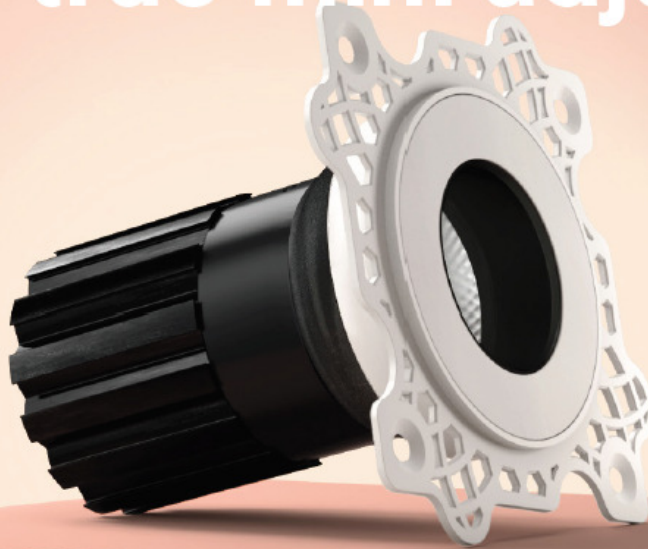
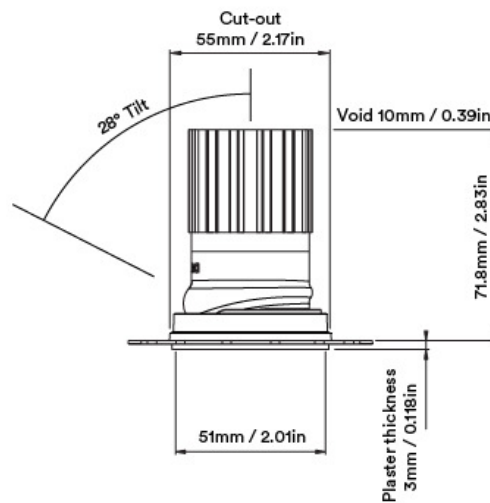
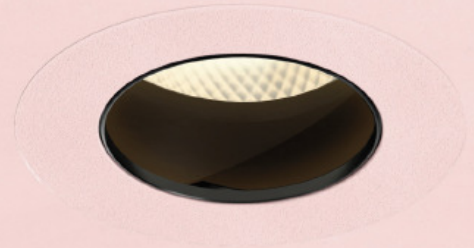


erluna

true mini adjustable origin



F III IP65 IP54 CE



Unit height increases by
12mm / 0.48in for SPOT and
both ELLIPTICAL BEAMS

true mini adjustable origin



| | | 2700K | | | | | |
|--------------|---------------------|-------------|---------------|-------------|-------------|----------------------|----------------------|
| | | SPOT | CRISP | | SOFT | SPECIALITY | |
| LIGHT VALUES | Beam Width FWHM | Spot 15° | Medium 20° | Wide 31° | Soft 34° | Elliptical 10x45° | Elliptical 20x40° |
| | Initial Lumens | 549 | 549 | 549 | 549 | 549 | 549 |
| | Engine Lumens | 214 | 462 | 462 | 444 | 186 | 208 |
| | Luminaire Lumens | 151 | 296 | 278 | 242 | 115 | 149 |
| | Engine Lm/W | 40 | 87 | 87 | 83 | 35 | 39 |
| | Luminaire Cd | 1847 | 1919 | 964 | 614 | 343 | 1897 |
| POWER | Voltage | 17.6V | | | | | |
| | Drive Current | 300mA | | | | | |
| | Circuit Power (typ) | 5.3W | | | | | |

| | | 3000K | | | | | |
|--------------|---------------------|-------------|---------------|-------------|-------------|----------------------|----------------------|
| | | SPOT | CRISP | | SOFT | SPECIALITY | |
| LIGHT VALUES | Beam Width FWHM | Spot 15° | Medium 20° | Wide 30° | Soft 34° | Elliptical 10x45° | Elliptical 20x40° |
| | Initial Lumens | 587 | 587 | 587 | 587 | 587 | 587 |
| | Engine Lumens | 220 | 483 | 475 | 475 | 193 | 180 |
| | Luminaire Lumens | 148 | 315 | 292 | 261 | 105 | 125 |
| | Engine Lm/W | 41 | 91 | 90 | 89 | 36 | 33 |
| | Luminaire Cd | 1849 | 2060 | 1101 | 619 | 328 | 610 |
| POWER | Voltage | 17.6V | | | | | |
| | Drive Current | 300mA | | | | | |
| | Circuit Power (typ) | 5.3W | | | | | |

| Binning SDCM (Hot) | 2 | | | | | | |
|-----------------------|-------------------------------|------------------------------------|--|--|--|--|--|
| CRI (typ)(R9) | 98 (99) | | | | | | |
| TM30 Rf Rg | Rf 93.8 Rg 101.9 | | | | | | |
| Lifetime (TM21) | L90 B5 50,000hrs (inc driver) | | | | | | |
| Lifetime (Calculated) | L70 426,000hrs | | | | | | |
| DRIVER | Protocols | Mains Dim / DALI / 0-10V / Non-dim | | | | | |
| | Dim to Dark | 0.1% Lux | | | | | |
| | Distance from LED | 20m / 65° (series wiring) | | | | | |
| | Emergency | Emergency packs available | | | | | |

SPECIFICATION CODE

| Engine type | Bezel | Colour Temp | Driver | Beam Width | Bezel Colour | Baffle Colour | Options |
|-------------|-------------|---|--|--|--|--|---|
| OR | TREM | 27 | M | M | W | BB | F 54 |
| | | 27 / 2700K 30 / 3000K 40 / 4000K* | M / Mains Dim D / DALI *0 / 0-10V N / Non Dim X / No Driver | M / Medium W / Wide T / Soft S / Spot L / Elliptical Linear O / Elliptical Oval | W / White 9010 (STD) D / White 9003 E / White 9016 B / Black 9005 C / Other RAL G / Polished Brass J / Antique Bronze K / Brushed Chrome L / Polished Chrome Z / Other Metallic | BB / Black 9005 (STD) WB / White 9010 DB / White 9003 EB / White 9016 CB / Other RAL MB / Polished Brass JB / Antique Bronze KB / Brushed Chrome LB / Polished Chrome ZB / Other Metallic | F / 60 min Fire Rated Plate (end April 2021) 54 / IP54 65 / IP65 P / Sea & Spa IP65 *C / Constant Torsion H / Honeycomb N / Frosted Lens Z / LSZH Cable K / Click Connector |
| | | *NOTE: increase 3000k by 7% | *NOTE: 0-10V driver does not fit through cut out, other drivers fit through the cut-out. Supplied with one driver per luminaire. | | | | *NOTE: Fire Hood if used with constant torsion springs. |

24/05/21