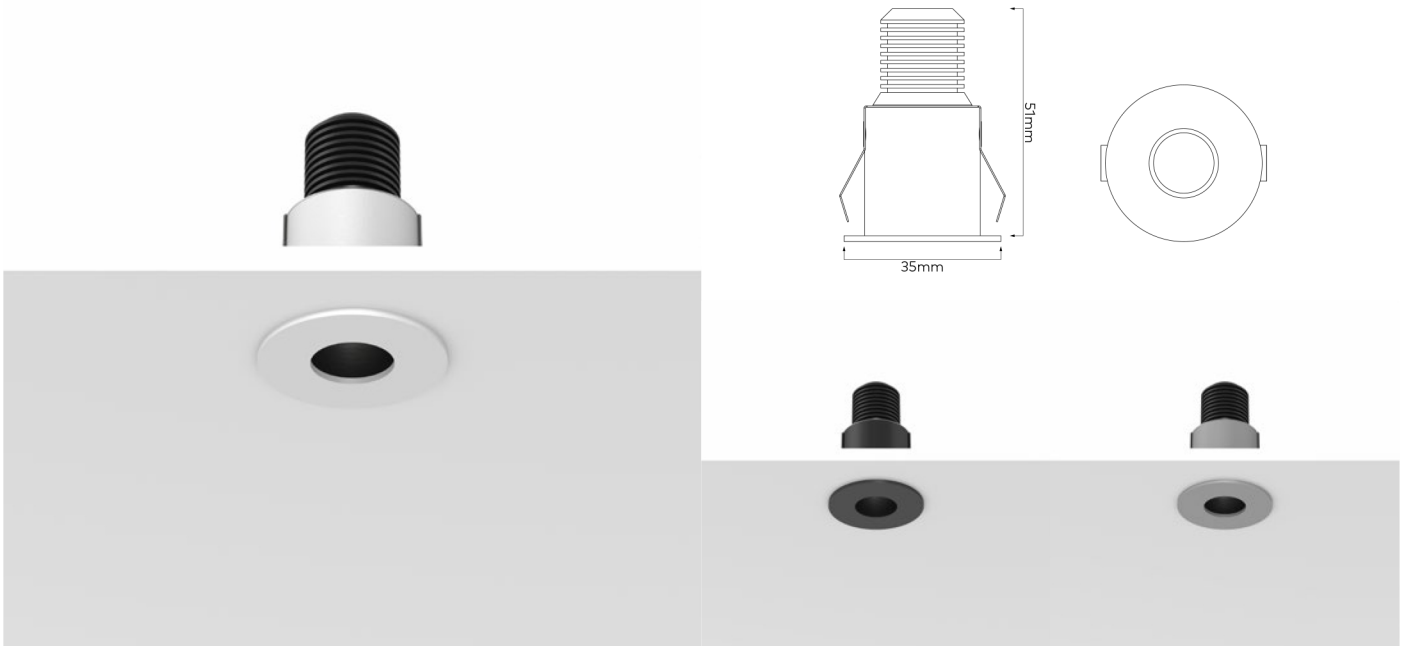


Pin 40



Part Number JR01505



Features

- Energy saving
- Full intensity from switch on
- Wide range of LED CCTs, optics and accessories
- Long life L70 50,000 hrs based on LM-80 & TM-21 applicable test data
- Remote constant current driver with S.E.L.V. output
- Mains phase, 0-10V and DALI dimming options available
- 5 Year warranty

Luminaire Specification

Height	51mm
Bezel	Ø35mm
Hole cut-out	Ø30mm
Luminaire material	Aluminium with textured powder coat finish.
IP Rating	IP44 IP65 option

LED Specification

LED	Luminus SST
Typical LED Output ⁽ⁱ⁾	1 Chip (2W) : 208lm (104lm/W)
Typical Delivered Output ⁽ⁱⁱ⁾	141lm
Binning	2 Step McAdam ellipse
CCT	2700K, 3000K, 4000K
CRI	>90Ra
Optics	Spot 15°, medium 30°
Drive current	700mA (2.9V)

Ordering Information example 2283.1232

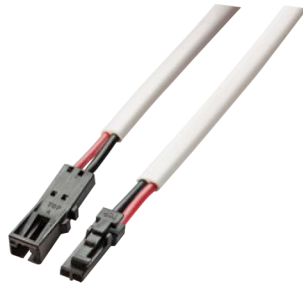
MODEL	FINISH	LED CCT	DRIVER	VERSION	IP RATING	ACCESSORIES
2281. Spot 15°	1 White	2 2700K	2 Phase dimming ⁽ⁱⁱⁱ⁾	2 1 Chip (2W)	IP44	-H Honeycomb Louvre
2283. Medium 30°	2 Black	3 3000K	3 0-10V Dimming ⁽ⁱⁱⁱ⁾		6 IP65	-FR Frosted Lens
	7 Silver	4 4000K	4 DALI Dimming ⁽ⁱⁱⁱ⁾			

Part Number JR01505

Accessories

Extension Cables

7100.1005	50cm
7100.1010	1m
7100.1020	2m
7100.1030	3m
7100.1050	5m
7100.1070	7m
7100.1100	10m



Please allow for voltage drop when adding extension cables

Series Splitters

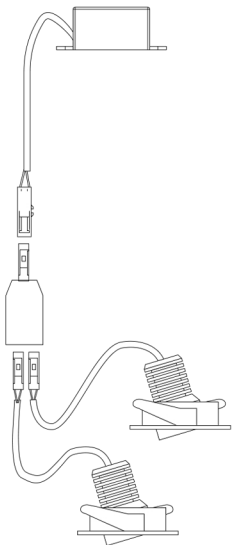
7002.00	2 way
7003.00	3 way
7006.00	6 way

When using splitters please be sure not to overload the driver.

Splitters are wired in series, always ensure all sockets have either a fitting or included plug installed.



Example Configurations



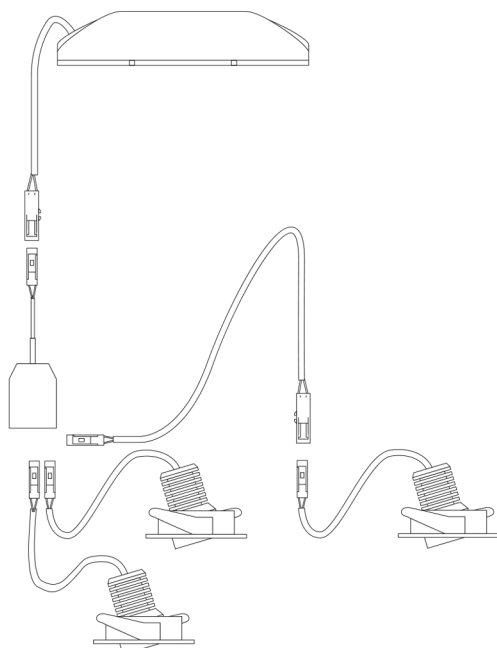
Example 1

Two Mini LEDs

Ordering Codes

1 x 2253.1322
1 x 2253.13X2
1 x 7002.00

White Mini LED complete with 30°,3000K LED and 4W driver
White Mini LED complete with 30°,3000K LED without driver
2 way series splitter



Example 2

Three Mini LEDs with dimming driver

Ordering Codes

1 x 2253.13X2
2 x 2253.13X2
1 x 4721.TC
1 x 7003.00
1 x 7100.1010

White Mini LED complete with 30°,3000K LED without driver
White Mini LED complete with 30°,3000K LED without driver
Phase dimming constant current driver
3 way series splitter
1m extension cable