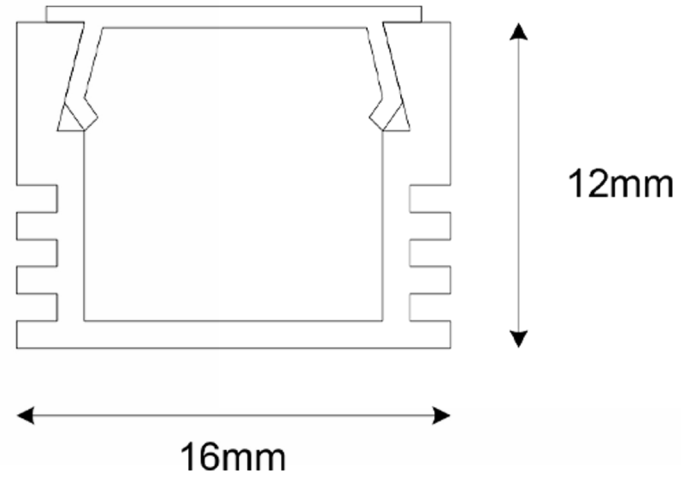
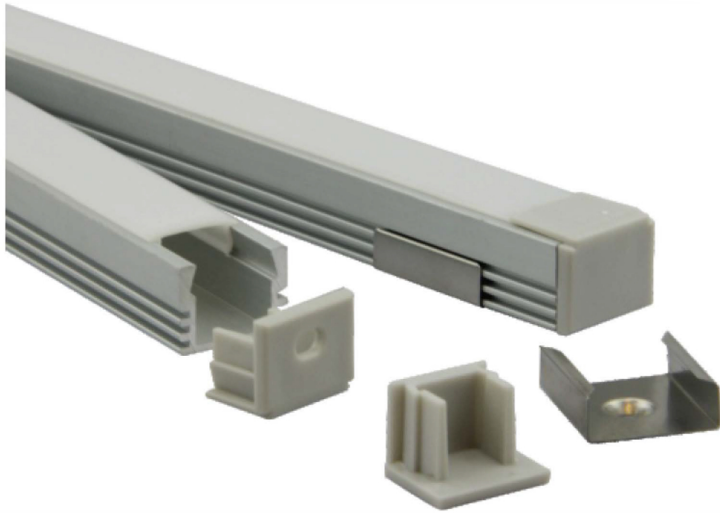


Surface LED Aluminum Profile



Part Number JR98002



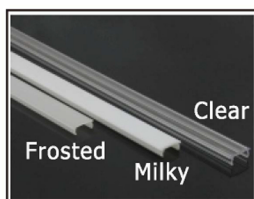
SPECIFICATIONS

- > Match Flexible LED Strips: Up to 11mm wide.
- > Material: Anodized Aluminum Extrusion.
- > Cover: Transparent, Frosted, Milky PC cover.
- > Dimension: W 16mm x H 12mm
- > Length: 1M, 2M & 3M long
- > Mounting: Surface.

Standard accessories



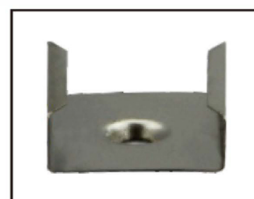
Profile



PC cover



End caps



Metal clip

